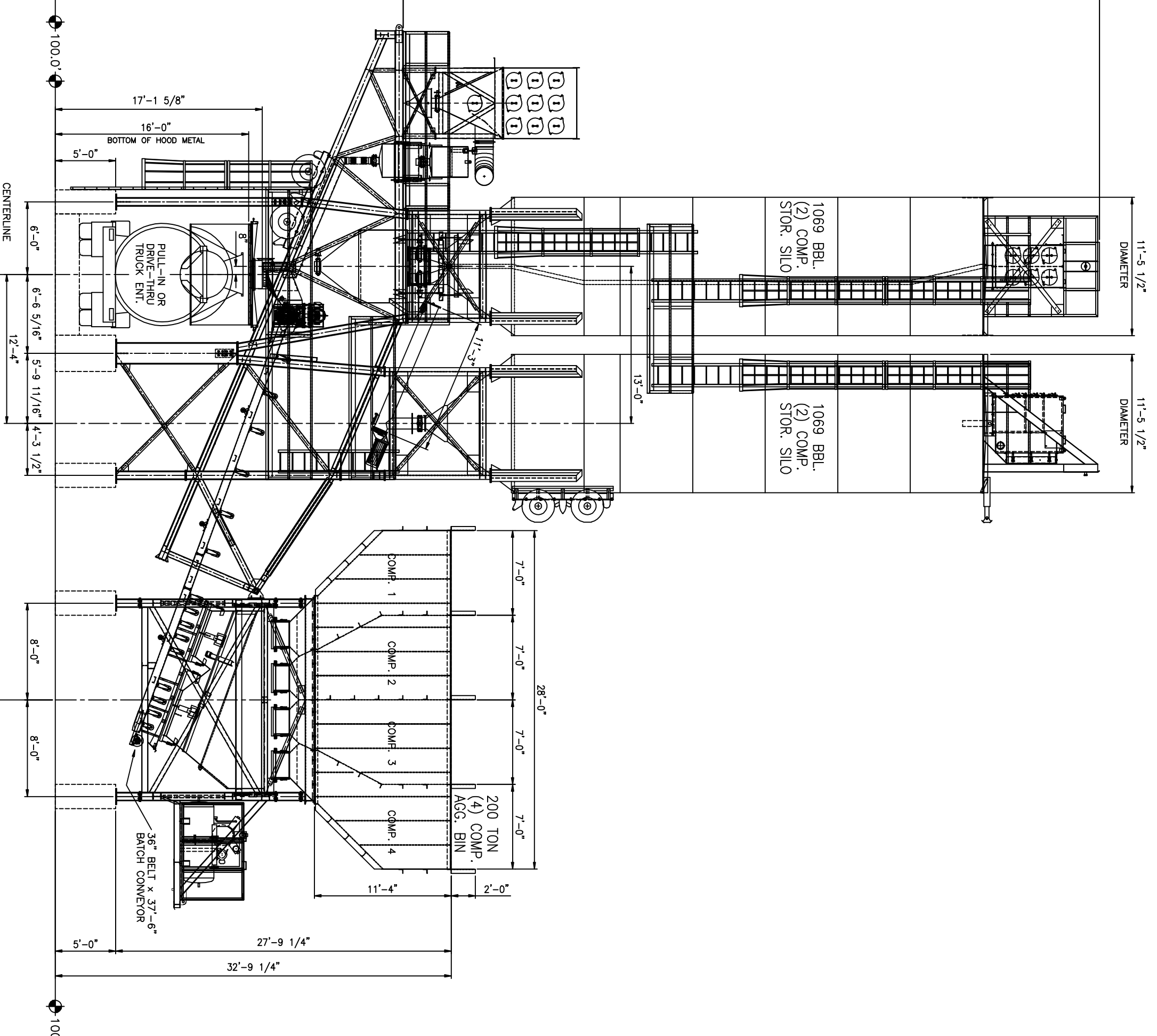
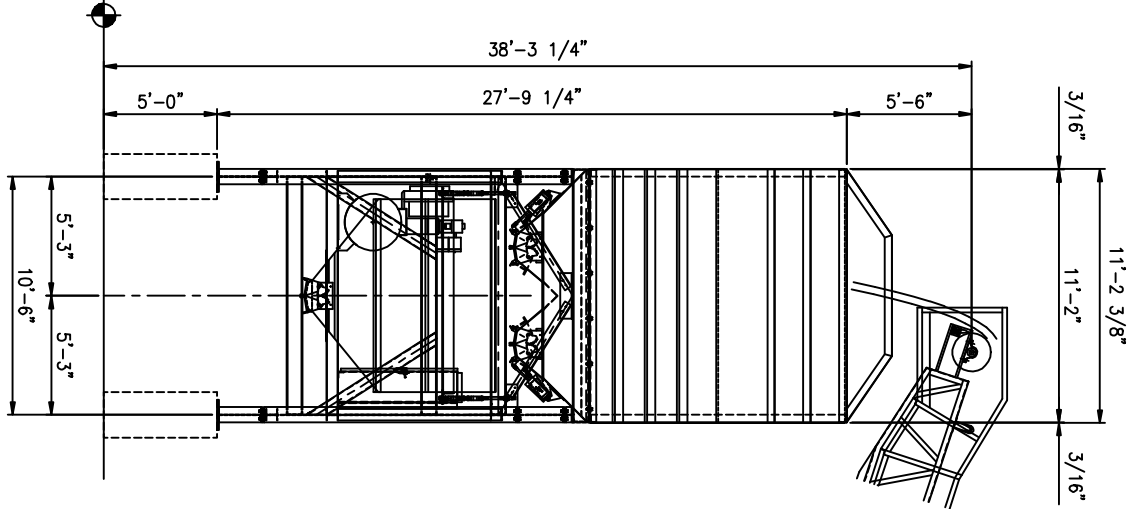


CEM. END ELEVATION



FALCON CONCRETE BATCH PLANT SIDE ELEVATION - OPERATING POSITION



AGG. END ELEVATION

PRELIMINARY DRAWING - NOT FOR CONSTRUCTION - SUBJECT TO CHANGE

| | | | | | | | | | | | |
|-------------|-----------|-----|------|----------|-----------|-----------|----------|--------|---|--------------|-----------|
| DRAWING NO. | REFERENCE | NO. | DATE | REVISION | COMP. NO. | DRAWN BY: | DATE: | SCALE: | TITLE: | JOB NO. | SHEET NO. |
| | | | | | | RTK | 09-15-08 | NONE | FALCON - 36\"/> | | |
| | | | | | | | | | AGG. BIN, TWIN 1069 BBL. (2) COMP. SILO'S | F36-200-1069 | 1 |

THIS DRAWING IS THE PROPERTY OF STEPHENS & ASSOCIATES, INC. AND IS TO BE USED ONLY FOR THE PROJECT AND SITE SPECIFICALLY IDENTIFIED HEREON. ANY REUSE OR MODIFICATION WITHOUT WRITTEN PERMISSION IS STRICTLY PROHIBITED.



FOR: -
 TITLE: FALCON - 36\"/>