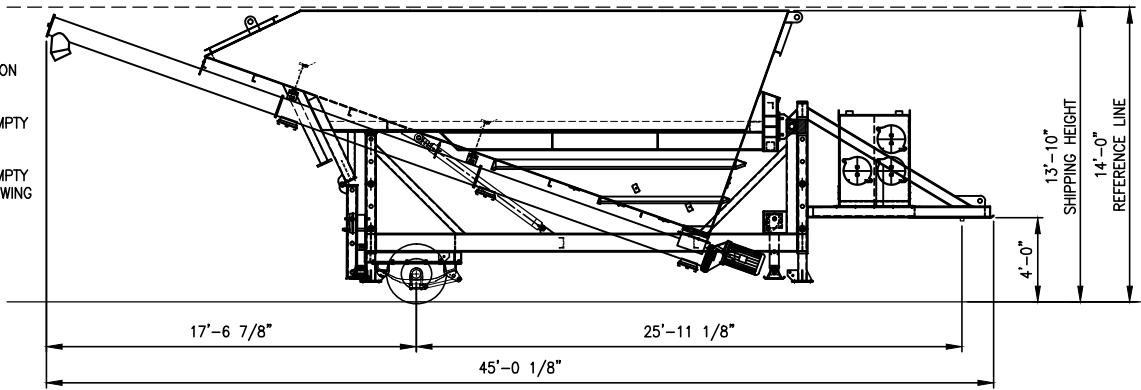
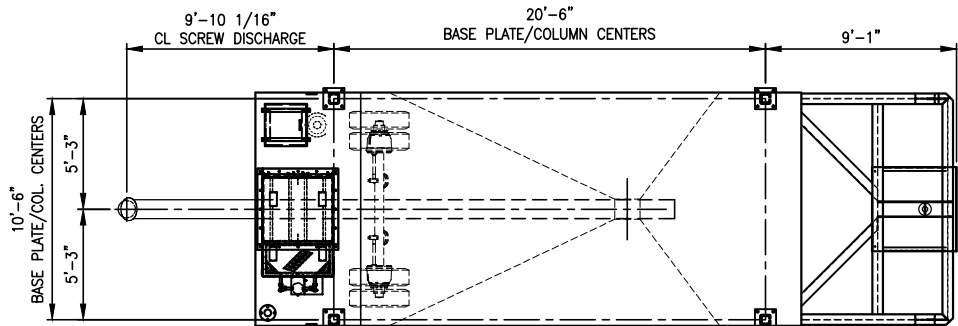


IMPORTANT TRANSPORTATION INFORMATION
 CEMENT BIN MUST BE EMPTY WHEN TOWING
 CEMENT BIN MUST BE EMPTY WHEN LOWERING INTO TOWING POSITION
 SECURE ALL ITEMS AND CHECK BEFORE MOVING EQUIPMENT

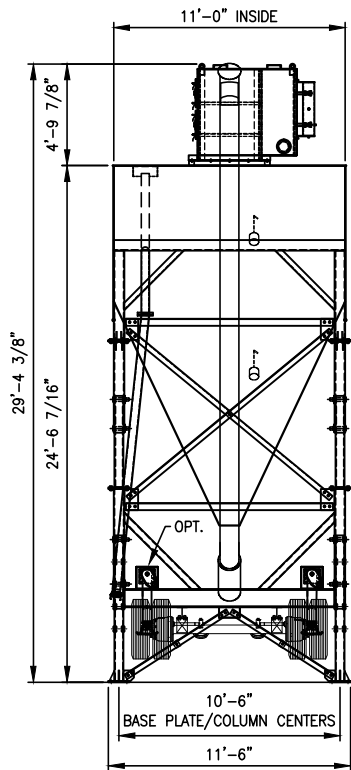


PONY EXPRESS: SHIPPING LAYOUT

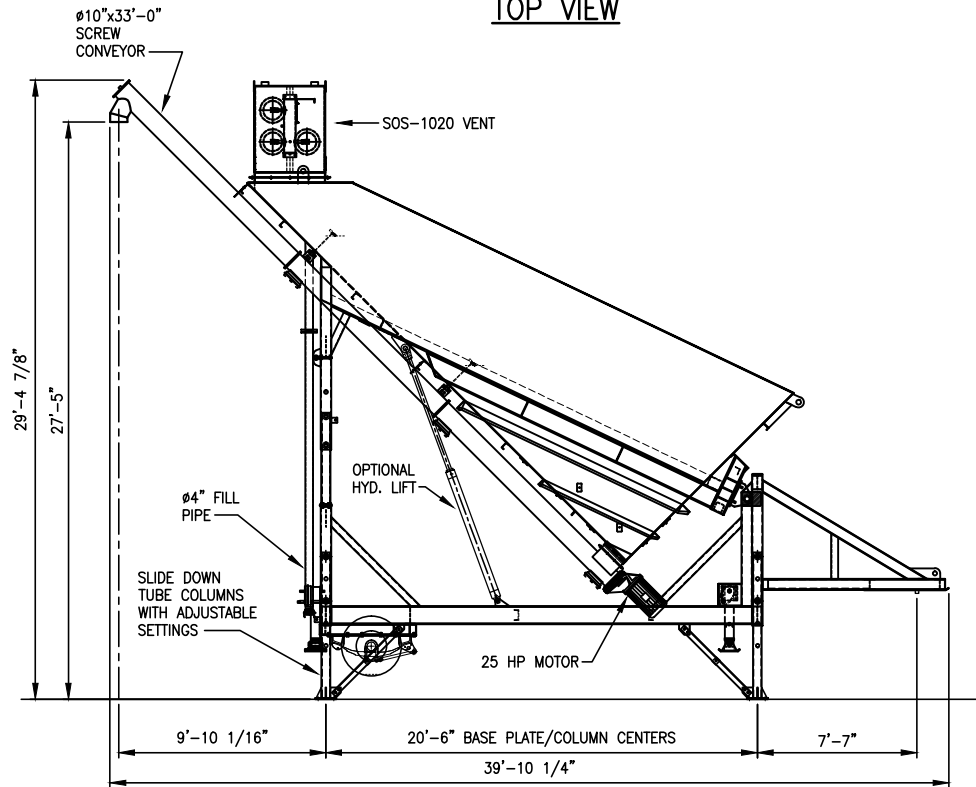
DRAWING NOTE:
 NOT ALL ITEMS ARE SHOWN ON THIS PRINT SUCH AS ELECTRICAL PANEL.
 SOME ITEMS SHOWN ON THIS DRAWING ARE OPTIONAL EQUIPMENT



TOP VIEW



END ELEVATION



SIDE ELEVATION

PONY EXPRESS MOBILE STORAGE SILO WITH Ø10" X 33'-0" SCREW CONVEYOR

CONFIDENTIAL DISCLOSURE
 THIS DRAWING IS THE EXCLUSIVE PROPERTY OF STEPHENS MANUFACTURING CO., INC. THE INSCRIBED ACCEPTS THAT ITS CONTENTS ARE CONFIDENTIAL AND MUST NOT BE COPIED OR SUBMITTED TO OUTSIDE PARTIES FOR USE OR EXAMINATION WITHOUT WRITTEN CONSENT.

DRAWN BY: GWB
 DATE: 10-31-2013
 SCALE: NONE

Stephens
 TOMPKINSVILLE, KY. 42167

FOR: WORLD OF CONCRETE
 LAS VEGAS, NEVADA
 TITLE: PONY EXPRESS 412 BBL./1648 C.F. MOBILE STORAGE SILO LAYOUT AND ELEVATIONS

JOB NO.
 PONY EXPRESS
 SHEET NO.
 PE2-101

REV. NO.
 0